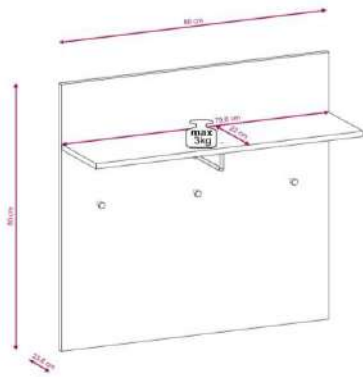


PRODUCT DATA SHEET





COAT RACK IRYS TYPE B

DESCRIPTION

- PANNEL** 16 mm MELAMINE FACED CHIPBOARD
- EDGE** 0,5 mm ABS
- SHELF** 1 SHELF, 16 mm MELAMINE FACED CHIPBOARD
- ACCESSORIES** SHELF BRACKET, PLASTIC HANGERS



| PRODUCT DIMENSIONS | | | | PACKAGE DIMENSIONS | | | | | | |
|--------------------|---------|--------|------------|--------------------|-------|---------|--------|----------|--------------|--|
| WIDTH | DEPTH | HEIGHT | NET WEIGHT | NO. OF PACKAGES | WIDTH | DEPTH | HEIGHT | VOLUME | GROSS WEIGHT | |
| 80 CM | 23,6 CM | 80 CM | - | 1/1 | 86 CM | 87,5 CM | 4 CM | 0,030 M3 | 10,36 KG | |

| AVAILABLE COLOUR COMBINATIONS | SHELF | PANNEL | SHELF | PANNEL |
|-------------------------------|--|--|--|--|
| |  |  |  |  |
| | WOTAN OAK | WOTAN OAK | WOTAN OAK | SONOMA OAK |

PRODUCT DATA SHEET

HALLWAY SET IRYS



DESCRIPTION

| | |
|--------------------|--|
| BODY | 16 mm MELAMINE FACED CHIPBOARD |
| FRONT | 16 mm MELAMINE FACED CHIPBOARD |
| EDGE | 0,5 mm ABS |
| SHELF | 1 SHELF + 4 SHELVES (INSIDE), 16 mm MELAMINE FACED CHIPBOARD |
| DOOR | DOORS WITH GTV HINGES Ø35 mm |
| DRAWER | DRAWER WITH ROLLER SLIDES |
| HANDLE | PLASTIC HANDLES |
| LEGS/BASE | PLASTIC LEGS |
| ACCESSORIES | SOFT-CLOSE-SYSTEM, FULL EXTENSION DRAWER, BEVELLED MIRROR |

PRODUCT DIMENSIONS

| WIDTH | DEPTH | HEIGHT | NET WEIGHT |
|-------|-------|--------|------------|
| - | - | - | - |

PACKAGE DIMENSIONS

| | NO. OF PACKAGES | WIDTH | DEPTH | HEIGHT | VOLUME | GROSS WEIGHT |
|-----------------------|-----------------|--------|---------|---------|--------------|--------------|
| TYPE A | 1/2 | 199 CM | 8 CM | 55,5 CM | 0,088 M3 | 34,6 KG |
| TYPE A | 2/2 | 92 CM | 6 CM | 40 CM | 0,022 M3 | 9,14 KG |
| TYPE B | 1/1 | 86 CM | 87,5 CM | 4 CM | 0,030 M3 | 10,36 KG |
| TYPE C | 1/1 | 92 CM | 12,5 CM | 48 CM | 0,055 M3 | 18,2 KG |
| TYPE D | 1/1 | 99 CM | 5,5 CM | 75 CM | 0,041 M3 | 10,18 KG |
| TYPE E | 1/1 | 86 CM | 10,5 CM | 37 CM | 0,033 M3 | 18,1 KG |
| TOTAL NO. OF PACKAGES | | | | | TOTAL VOLUME | TOTAL WEIGHT |
| 6 | | | | | 0,270 M3 | 100,6 KG |

AVAILABLE COLOUR COMBINATIONS

BODY

FRONT

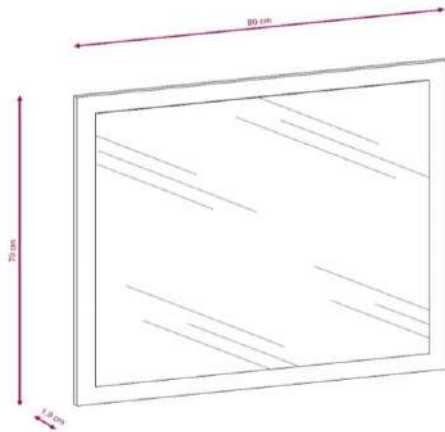


WOTAN OAK

WHITE

WOTAN OAK



PRODUCT DATA SHEET
MIRROR IRYS TYPE D



DESCRIPTION

BODY 16 mm MELAMINE FACED CHIPBOARD, GLASS
EDGE 0,5 mm ABS
ACCESSORIES 3 mm BEVELLED MIRROR

| PRODUCT DIMENSIONS | | | | PACKAGE DIMENSIONS | | | | | | |
|--------------------|--------|--------|------------|--------------------|-------|--------|--------|----------|--------------|--|
| WIDTH | DEPTH | HEIGHT | NET WEIGHT | NO. OF PACKAGES | WIDTH | DEPTH | HEIGHT | VOLUME | GROSS WEIGHT | |
| 80 CM | 1,9 CM | 70 CM | - | 1/1 | 99 CM | 5,5 CM | 75 CM | 0,041 M3 | 10,18 KG | |

| AVAILABLE COLOUR COMBINATIONS | BODY | BODY |
|-------------------------------|--|--|
| |  |  |
| | WOTAN OAK | SONOMA OAK |

PRODUCT DATA SHEET

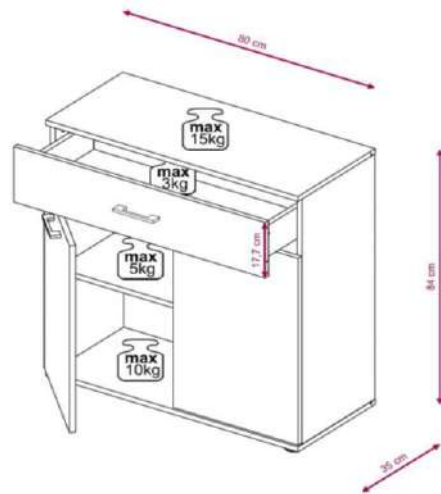
SIDEBOARD IRYS TYPE E



DESCRIPTION

- BODY** 16 mm MELAMINE FACED CHIPBOARD
- FRONT** 16 mm MELAMINE FACED CHIPBOARD
- EDGE** 0,5 mm ABS
- SHELF** 1 SHELF (INSIDE), 16 mm MELAMINE FACED CHIPBOARD
- DRAWER** 1 DRAWER WITH ROLLER SLIDES
- DOOR** 2 DOORS WITH GTV HINGES Ø35 mm
- HANDLE** PLASTIC HANDLES
- LEGS/BASE** PLASTIC LEGS
- ACCESSORIES** SOFT-CLOSE-SYSTEM, FULL EXTENSION DRAWER

| PRODUCT DIMENSIONS | | | | PACKAGE DIMENSIONS | | | | | | |
|--------------------|-------|--------|------------|--------------------|-------|---------|--------|----------|--------------|--|
| WIDTH | DEPTH | HEIGHT | NET WEIGHT | NO. OF PACKAGES | WIDTH | DEPTH | HEIGHT | VOLUME | GROSS WEIGHT | |
| 80 CM | 35 CM | 84 CM | - | 1/1 | 86 CM | 10,5 CM | 37 CM | 0,033 M3 | 18,1 KG | |



| AVAILABLE COLOUR COMBINATIONS | BODY | | FRONT | | BODY | | FRONT | |
|-------------------------------|-----------|-------|-----------|-------|------------|-------|------------|------------|
| | | | | | | | | |
| | WOTAN OAK | WHITE | WOTAN OAK | WHITE | SONOMA OAK | WHITE | SONOMA OAK | SONOMA OAK |





PRODUCT DATA SHEET
SHOE CABINET IRYS TYPE C

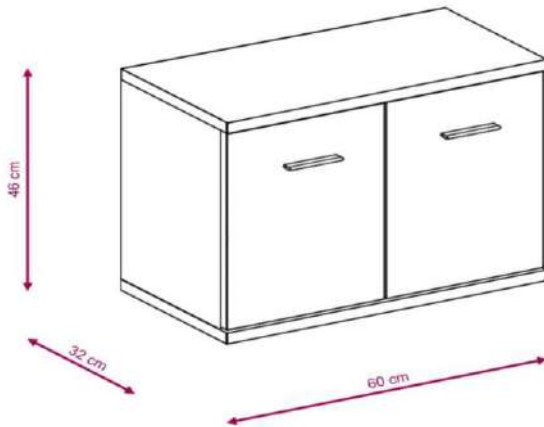


DESCRIPTION

- BODY** 16 mm MELAMINE FACED CHIPBOARD
- FRONT** 16 mm MELAMINE FACED CHIPBOARD
- EDGE** 0,5 mm ABS
- SHELF** 2 SHELVES (INSIDE), 16 mm MELAMINE FACED CHIPBOARD
- DOOR** 2 DOORS WITH GTV HINGES Ø35 MM
- HANDLE** PLASTIC HANDLES
- LEGS/BASE** PLASTIC LEGS
- ACCESSORIES** SOFT-CLOSE-SYSTEM

| PRODUCT DIMENSIONS | | | | PACKAGE DIMENSIONS | | | | | | |
|--------------------|-------|--------|------------|--------------------|-------|---------|--------|----------|--------------|--|
| WIDTH | DEPTH | HEIGHT | NET WEIGHT | NO. OF PACKAGES | WIDTH | DEPTH | HEIGHT | VOLUME | GROSS WEIGHT | |
| 60 CM | 32 CM | 46 CM | - | 1/1 | 92 CM | 12,5 CM | 48 CM | 0,055 M3 | 18,2 KG | |

| AVAILABLE COLOUR COMBINATIONS | | | |
|--|--|--|--|
| BODY | FRONT | BODY | FRONT |
|  |  |  |  |
| WOTAN OAK | WHITE | SONOMA OAK | WHITE |

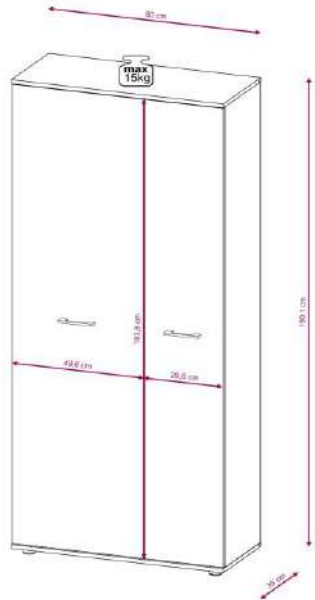


PRODUCT DATA SHEET

WARDROBE IRYS TYPE A

DESCRIPTION

- BODY** 16 mm MELAMINE FACED CHIPBOARD
- FRONT** 16 mm MELAMINE FACED CHIPBOARD
- EDGE** 0,5 mm ABS
- SHELF** 1 SHELF (INSIDE), 16 mm MELAMINE FACED CHIPBOARD
- DOOR** 2 DOORS WITH GTV HINGES Ø35 mm
- HANDLE** PLASTIC HANDLES
- LEGS/BASE** PLASTIC LEGS
- ACCESSORIES** SOFT-CLOSE-SYSTEM



| PRODUCT DIMENSIONS | | | | PACKAGE DIMENSIONS | | | | | | |
|--------------------|-------|----------|------------|--------------------|--------|-------|---------|----------|--------------|--|
| WIDTH | DEPTH | HEIGHT | NET WEIGHT | NO. OF PACKAGES | WIDTH | DEPTH | HEIGHT | VOLUME | GROSS WEIGHT | |
| 80 CM | 35 CM | 190,1 CM | - | 1/2 | 199 CM | 8 CM | 55,5 CM | 0,088 M3 | 34,6 KG | |
| | | | | 2/2 | 92 CM | 6 CM | 40 CM | 0,022 M3 | 9,14 KG | |

| AVAILABLE COLOUR COMBINATIONS | BODY | | FRONT | | BODY | | FRONT | |
|-------------------------------|-----------|-------|-----------|-------|------------|-------|------------|--|
| | | | | | | | | |
| | WOTAN OAK | WHITE | WOTAN OAK | WHITE | SONOMA OAK | WHITE | SONOMA OAK | |